



Efficient even in the toughest conditions

**FRIDOURO**  
REFRIGERAÇÃO COMERCIAL E INDUSTRIAL DO DOURO, Lda.



OPERATES  
IN HIGH  
AMBIENT **25°**

DS Undercounter Chillers >>



# DS1, DS2, DS3 Undercounter chillers

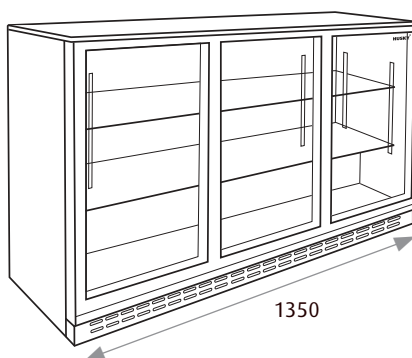
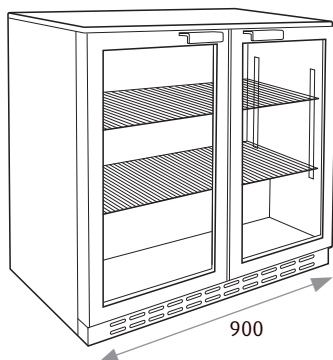
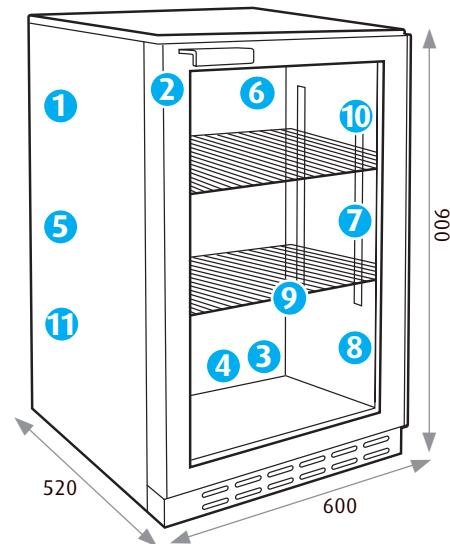
## Single, double and triple door Features

- 1 Pressure injected foam insulation**  
Maximum possible insulation ensures lowest possible energy wastage and significantly increases lifespan of compressor
- 2 Self closing doors**  
Minimum temperature disturbance and minimise cold air escaping
- 3 Fan assisted cooling**  
Ensures even temperature spread inside of the chiller and quicker pull down (cool down) times
- 4 Fin block evaporator**  
Provides the ultimate cooling capacity for lower temperatures; energy efficiency and rapid pull down times.
- 5 Solid construction**  
Ensures longer life under heavy usage
- 6 Integral locks fitted as standard**  
Allows cabinet security when needed
- 7 Electronic temperature controller**  
Defrosts automatically 6 times a day!  
Ensures lower and more accurate temperature control between 0° -10°C  
Significantly improves use of energy  
Longer compressor life  
Digital temperature display
- 8 Full length double glazed glass door**  
Devotes maximum area to display your high profit lines and ensures the ultimate in impulse sales
- 9 Fully adjustable shelves (11mm settings)**  
Provides the maximum number of merchandising options irrespective of differences in pack sizes
- 10 Interior illumination**  
Display contents to full effect
- 11 R134a refrigerant**  
Ozone friendly

## The Husky back bar range offers huge advertising potential to the hospitality provider.

An attractive, well stocked and well lit glass fronted cabinet, facing the customer, attracts attention and drives product interest, stimulating cold drink sales.

The DS Range of Husky back bar coolers optimises the company concept of being "Good looking, efficient and reliable even in the toughest conditions".



Ultra-cold drinks are perfectly displayed in stylish cabinets with the minimum of running costs. All coolers are ideal for use in pubs, bars, hotels, clubs, cafes and restaurants. All feature Husky quality at an affordable price.



## Specifications



### DS1 single door undercounter chiller

External Dimensions:  
900x600x520mm (HxWxD)  
Capacity: 138 litres  
Weight: 48kg  
Refrigerant: R134A  
Shelves: 2 plastic-coated  
Air Cooling: Blown  
Energy Consumption: 1.3kWh/24h



### DS2 double door undercounter chiller

External Dimensions:  
900x900x520mm (HxWxD)  
Capacity: 208 litres  
Weight: 62kg  
Refrigerant: R134A  
Shelves: 4 plastic-coated  
Air Cooling: Blown  
Energy Consumption: 1.8kWh/24h



### DS3 triple door undercounter chiller

External Dimensions:  
900x1350x520mm (HxWxD)  
Capacity: 330 litres  
Weight: 80kg  
Refrigerant: R134A  
Shelves: 6 plastic-coated  
Air Cooling: Blown  
Energy Consumption: 2.3kWh/24h



# FRIDOURO

REFRIGERAÇÃO COMERCIAL E INDUSTRIAL DO DOURO, LDA.  
ESCRITÓRIO: RUA DOS OURAIS, 100 - LUGAR DO RIO  
4475-357 NOGUEIRA MAIA - Telef: 229 619 640 / Fax: 229 619 649  
FABRICA: RUA DIAMANTINA 141 E - 4350-145 PORTO  
Telefone: 225 400 573 / Fax: 225 401 206 - www.fridouro.pt

Contribuinte Nº 500 441 154  
Capital Social 14.954 Euros  
Matric. Cons. Reg. Com. Do Porto Nº 22 014